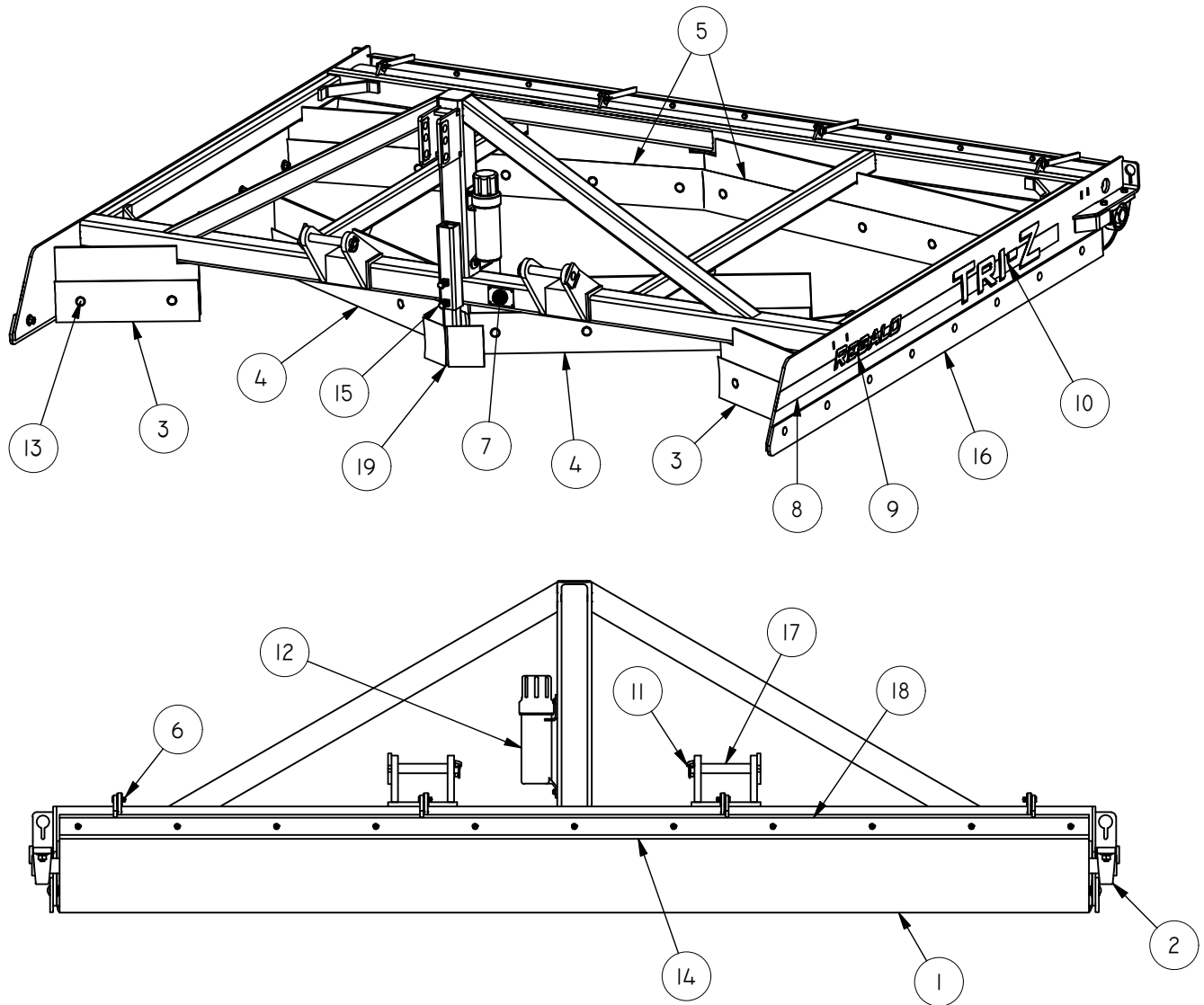


ITEM	P/N	TITLE	QTY
1	8458-XX	ASSEMBLY, ROLLER, (SPECIFY TRI-Z SIZE I.E. 8, 10, 12, 14FT)	1
2	9409	BEARING, 1-11/16 PILLOW BLOCK	2
3	8609-XX	BLADE, FRONT (SPECIFY TRI-Z SIZE I.E. 8, 10, 12, 14FT)	2
4	8610-XX	BLADE, MID (SPECIFY TRI-Z SIZE I.E. 8, 10, 12, 14FT)	2
5	8611-XX	BLADE, REAR (SPECIFY TRI-Z SIZE I.E. 8, 10, 12, 14FT)	2
6	9618	CLEVIS PIN, 1/2" x 1-3/8"	TBT
7	9938	DATA PLATE, REGALO	1
8	1591-00	DECAL, RED STRIPE, V-BLADE	2
9	9264	DECAL, REGALO (SMALL)	2
10	8937-00	DECAL, TRI-Z	2
11	8009	LYNCH PIN, 7/16"	2
12	9633	MANUAL CANISTER 3IN	1
13	9412-K	PLOW BOLT, BLADE HARDWARE	TBT
14	8572-XX	SCRAPER INSERT (SPECIFY TRI-Z SIZE I.E. 8, 10, 12, 14FT)	1
15	8982	SQUARE HEAD BOLT, 1/2"-13, 1-1/2"	2
16	8462	WEAR PLATE, SILL BOARD	2
17	8478	WELDMNT, LOWER 3-POINT PIN 1-1/8"	2
18	8941-XX	WELDMNT, SCRAPER (SPECIFY TRI-Z SIZE I.E. 8, 10, 12, 14FT)	1
19	8489	WELDMNT, STINGER, RIDGE BUSTER	1



ESCALERA, INC.
800 622 1359
WWW.ESCALERA.COM

MODELS:
TRI-Z 8FT - 14FT

PN
TRIZ- PARTS